



Co-funded by the
Erasmus+ Programme
of the European Union



BEEHIVE

DILAT

Narrowing Problems. Dilating Solutions

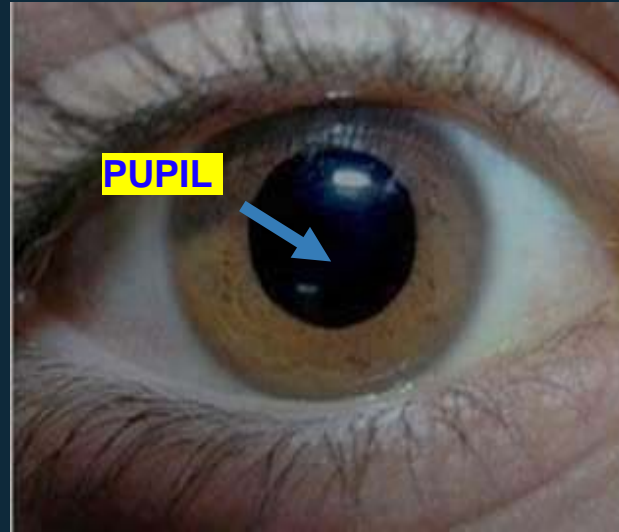


This project has been funded with support from the European Commission. This publication reflects the views only of the author, and the Commission cannot be held responsible for any use which may be made of the information contained therein.





Did you know? Human Eye





Did you know?

Stroke

Brain tumors
with edema

Brain Injuries

Neurological Disorders

CNS Infections

Cerebral
hemorrhage



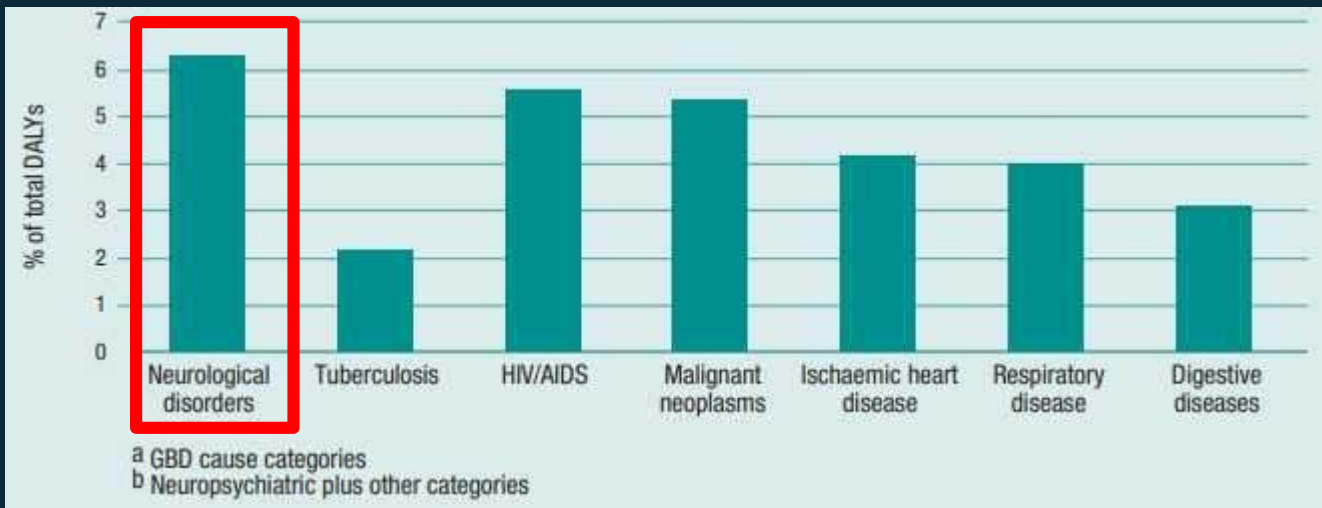
BEEHIVE





Did you know ?

Percentage of total DALYs for selected diseases^a and neurological disorders^b



https://www.who.int/mental_health/neurology/neurological_disorders_report_web.pdf



BEEHIVE

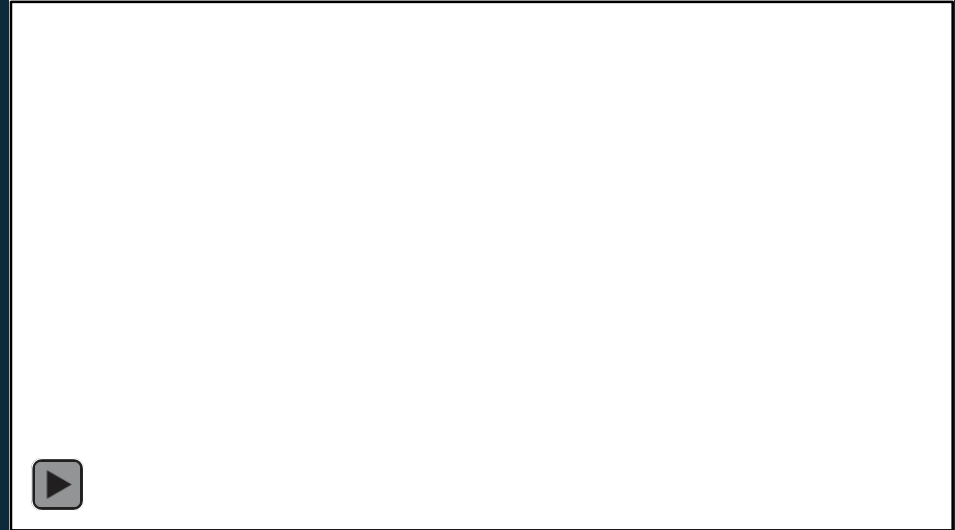




Pu pillometry

✗ Subjective

✗ Prone to Error



**Pupillometry – preliminary check up to assess neurological disorders through pupil size and pupil reactivity



Did you know?

Neuroptics

Difference in opinion between nurses in subjective pupillometry **as high as 39%**



Couret et al

Nurses in the NCCU missed 50% cases of anisocoria and wrongly detected 16 cases of **anisocoria***, hence **an overall 18% error rate**



***Anisocoria** is a neurological symptom characterized by an unequal size of the eyes' pupils.

DILAT Milestones

April 2019

33rd Mapua EECE
Thesis Colloquium

BEST Thesis

BEST Presentation



July 2019

16th Project Design
Competition - Institute
of Electrical and
Electronics Engineering
– Mapua University
Student Branch (IEEE-
MUSB)

Champion



July 2019

3rd International
Conference on Imaging,
Signal Processing and
Communication

**BEST Presentation
(Session 1: Data
Analysis)**



August 2019

Mapua Beehive
Accelerator Program:
Pitching Day

Champion



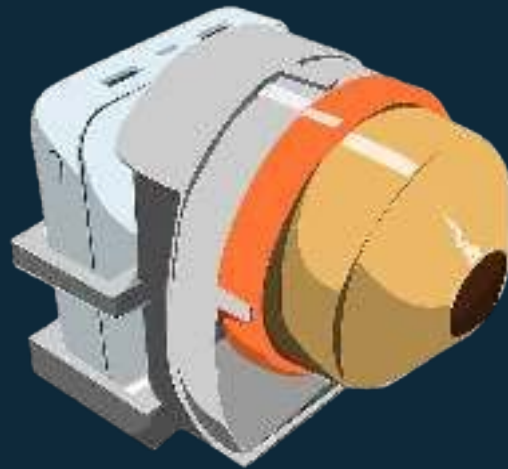
August 2019

Featured in local
television

**Umang kay
Ganda of ABS-CBN**



PiloMet rix



BEEHIVE



Pilo Met rix Gain s



Ease of Use

Accurate
Measurements

Accessible
Data

Portability

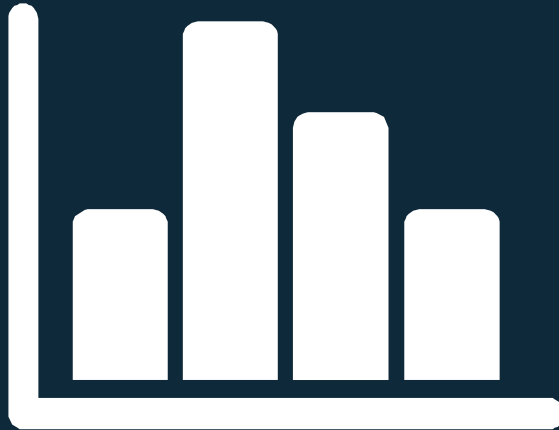
Cost-effective

Locally
Manufactured



CONFIDENCE
ACCURACY
SIMILARITY
Practice their profession with confidence
Measurements, Size and Reactivity
and gain trust from their clients

Market Size



476 Public Hospitals

960 Private Hospitals

42 Private Hospitals
(Metro Manila)

<https://newsinfo.inquirer.net/946244/did-you-know-ph-has-476-public-960-private-hospitals-as-of-october-2017>
https://en.wikipedia.org/wiki/List_of_hospitals_in_Metro_Manila



Potential Target in (Three Years)

P 400,000 (\$7,690)

Investment

172

Expected Units to be Sold

P 166,000 (\$3,191)

Cumulative Profit

12%

Profit Gain



BEEHIVE





DILAT

Always Focusing On You



BEEHIVE



MAMA